

## QUICK STUDY GUIDE

P.O. Box 414, Littleton CO 80160 | 303-347-8150 | Fax 303-347-8160

	Series	Pin Configuration(s)	Description
	<b>SVK</b>	13, 19, 25, 37, 54, 85, 100 & 150 pins	<i>Panel &amp; inline; IP67 waterproof rated; MIL-C-5015 compliant; gold or silver contacts</i>
	<b>SVS</b>	72 & 101 pins	
	<b>SHD</b>	13, 19, 25, 37, 54, 85, 100 & 150 pins	<i>Roadline: Enhanced, robust, heavy-duty version of the SVK Series</i>
	<b>SV</b>	24 Audio & 6 Video (Coax) Pins	<i>Panel &amp; Inline Audio/Video Hybrid Connectors; gold plated precision contacts</i>
	<b>SMA</b>	122 & 176 pins	<i>Hermaphroditic IP67 panel &amp; inline audio, up to 56 channels; gold plated solder contacts</i>
	<b>SPK</b>	4, 8 & 19 pins	<i>Pro loudspeaker panel &amp; inline; rubber locking ring; CA-COM mateable; silver &amp; gold solder or crimp contacts</i>
	<b>SPK8</b>	8 pin	<i>Adapter; CA-COM 8 compatible; male one end, female other end</i>
	<b>SB</b>	2, 3, 4, 6, 7, 8 & 9 pins	<i>HMI Ballast &amp; Lamp connector; 400W - 200KW; configurable; bayonet lock &amp; coupling roller; silver plated contacts</i>
	<b>SSX</b>	19 & 16 pin   UL & Industrial Versions	<i>Lighting connector; Socapex 419 compatible; panel &amp; inline; fast wiring, indestructible; IP67; first make, last break gold or silver plated contacts</i>
	<b>SPX</b>	Single Pole High Amperage Power Connectors	<i>Power 400A - 750A; panel &amp; inline; US, EU, UK &amp; AU color codes; IP67; IP2X; high impact shell; silver plated contacts</i>
	<b>SPZ</b>		
	<b>Cables</b>	Application Specific Cables	<i>Expertly engineered pro audio &amp; video features; power distribution; data</i>
	<b>Drums</b>	Cable Drums (featuring optional IO Side Panels)	
	<b>Glands</b>	Metric & PG types	<i>Glands, standard or spiral flex, metal, strain relief mesh grips, hanger grips</i>
	<b>Tooling</b>	Tooling & Accessories	<i>Contact us for more information</i>

v14.0

# CABLE DRUMS

## 7SYCD300 - 7SYCD400

The SYNTAX® cable drums CD series has an extremely strong structure, thanks to high resistance bent and soldered structural steel tubes. External finish is high-resistance matt black powder.

The crank handle can be lodged on the side of the external frame, making the cable drum a proper parallelepiped without any protrusion for space-saving in freight.

Designed for professional application, the central roller presents an oversize 200 mm diameter which allows rewinding even large diameter cables, avoiding damage to the cables' electrical and mechanical features. The drum is mounted on ball bearings and divided in two sections, the narrower of which is suited for housing cables' ends. We also supply elastic band with velcro® ends, in order to avoid freight damage, binding the cables' ends tight to the drum.

On the side opposite to the crank, a friction-adjustable brake is installed, to stop the roller revolving during transport.

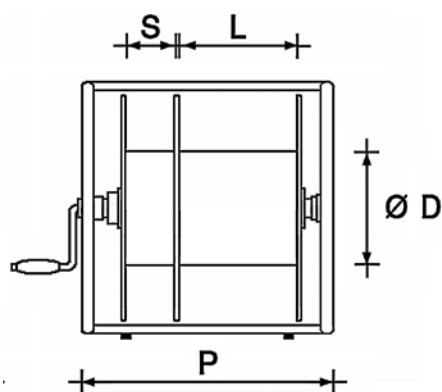
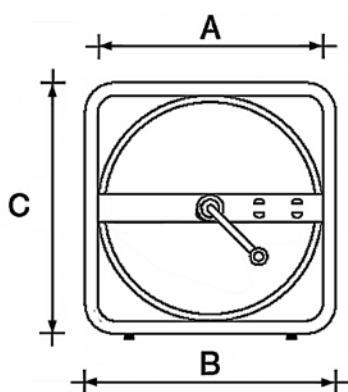
Protective rubber feet on the bottom of the structure ensure the right ground-detachment and easier stacking up.

### 7SYCD300

### 7SYCD400

#### DIMENSIONS (mm)

#### DIMENSIONS (mm)



#### 7SYCD300

A	C	B	D	S	L	P
460	500	500	200	90	300	500

#### 7SYCD400

A	C	B	D	S	L	P
460	500	500	200	90	400	600

### 7SYCD300



Weight 18,0 kg.

### 7SYCD400



Weight 21,5 kg.

#### SUMMARY TABLE OF DRUM CABLE CAPACITY (mt) BASED ON DIAMETER OF OUR MAIN CABLES RANGE (mm)

Cable diameter (mm)	Cable diameter (mm)													
	6,2	7,2	9,6	12,2	14,5	16,3	18,0	20,8	22,8	25,2	27,0	30,0		
7SYCD300	780	600	320	190	125	100	90	68	50	45	34	30		
7SYCD400	1040	820	430	250	170	130	125	90	65	60	43	40		
	240	190	95	55	38	27	23	19	15	12	9	7		

## 7SYCR190

This cable drum is easy to use and suitable for many jobs as recording studios, live entertainment shows, broadcasting and are particularly useful for the construction of multicore distribution system.

Its perimetric structure completely clusters the drum. The high resistance frame, made up of bent and soldered structural steel, prevents accidental mechanical damage and is matt black powder coated. The internal diameter of the roller allows to easily wind/rewind either large cables or more delicate video and optical fiber cables.

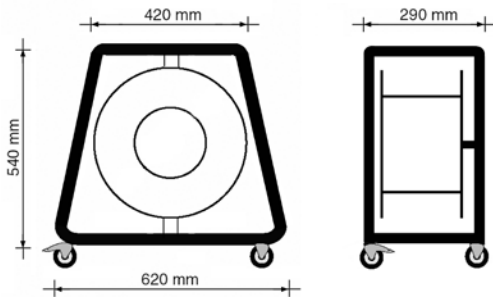
The central shaft of the steel roller is attached on one side only through a spindle fixed on a 40 mm boxed steel, while the other side is free. This drum side has a large opening where an optional quick-release plate can be set to house the cable ends. Alternatively, a 16, 24, or 32 hole drilled plate for XLR mounting can be fitted on the open side to obtain a revolving stage-box.

The crank handle is located on the same side, while on the opposite side a friction-adjustable brake is supplied, to stop the roller rotation during transport.

The cable drum has four wheels (two of which with brakes), for easier moving.



### DIMENSIONS



### ACCESSORY SIDE PLATES

7SYCRP16	16 holes for XLR " D " type
7SYCRP24	24 holes for XLR " D " type
7SYCRP32	32 holes for XLR " D " type
7SYCRP00	Closing side plate

### SUMMARY TABLE OF DRUM CABLE CAPACITY (mt) BASED ON DIAMETER OF OUR MAIN CABLES RANGE (mm)

Cable diameter (mm)	5,5	6,2	6,5	7,2	9,6	11,2	12,2	14,5	16,3	18,0	20,8	22,8
drum capacity (mt)	450	350	330	270	150	100	84	60	45	37	25	22

